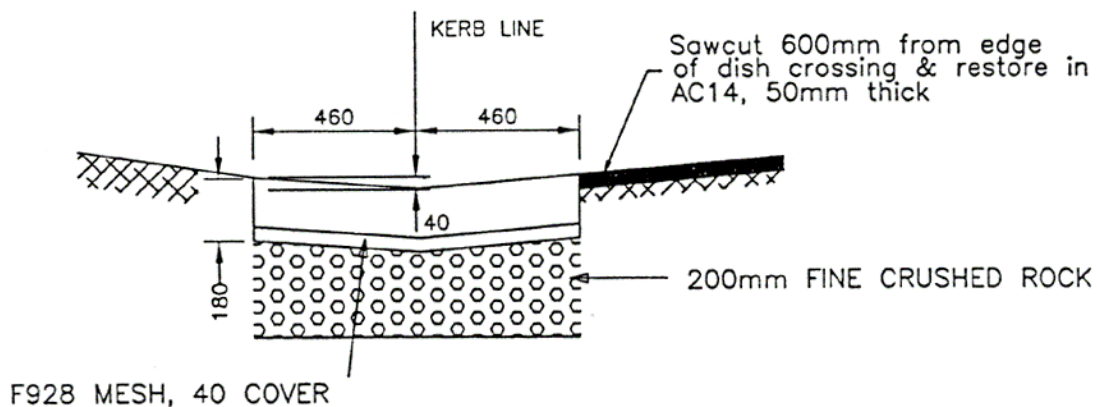


DISH CROSSING PLAN (SCALE 1:40)



DISH CROSSING
TYPICAL SECTION A-A (SCALE 1:20)

APPROVED:

COUNCIL ENGINEER

DATE: 01/12/96



NORTH SYDNEY COUNCIL

CONCRETE DISH
CROSSING

SCALE

AS SHOWN

DRAWING NO.
S103